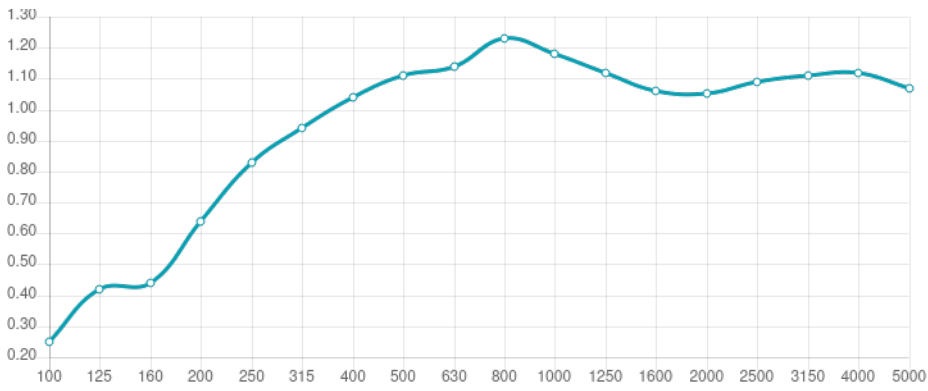




Performance



Features

Type: Absorber

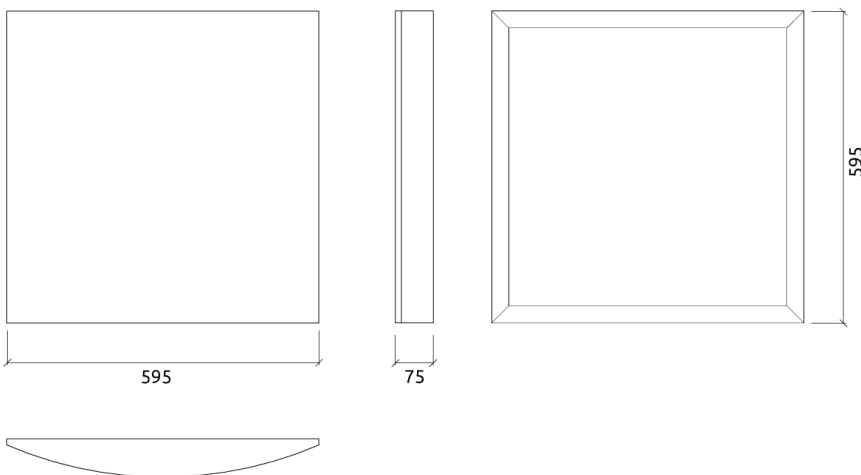
Absorption Range: 125 Hz to 8000 Hz

Acoustic Class:A | (aw) = 1,0

Available Fire Rates:
FG | Furniture Grade

Materials:
- Acoustic fabric
- Marine grade plywood structural frame
- Calibrated cell acoustic foam

Technical Information



Dimensions:

FG - SF | 595x595x75mm | 1.12 Kg

The Bow Tox range is a design born of the collaboration between Jan Morel and Artnovion.

The Bow Tox is available in 3 different sizes. Is a very efficient absorber designed using a patented Artnovion technique. Bow Tox excels at controlling first reflections, and is suited to treat a broadband range of frequencies. Bow Tox is a class A product, with an absorption value of $1\alpha_w$, that guarantees an outstanding performance. Manufactured with premium materials and carefully wrapped with acoustic fabric.

Product finishes

(FG - SF) Suede Fabric Finishes



FG | (TM201) Grigio



FG | (TM202) Bianco



FG | (TM203) Noce



FG | (TM204)
Gentian



FG | (TM205) Nero



FG | (TM206) Nebbia



FG | (TM207) Bordo



Purpose

- First reflection control
- RT reduction
- Extended mid-low frequency absorption
- Reducing excessive reverberation

Recommended for

- Control Room
- Recording Room
- Home Studio
- Broadcast Studio
- Vocal Booth

Fixing Systems

Wall & Ceiling



+ GlueArt 2.0



+ Instant Fix Kit